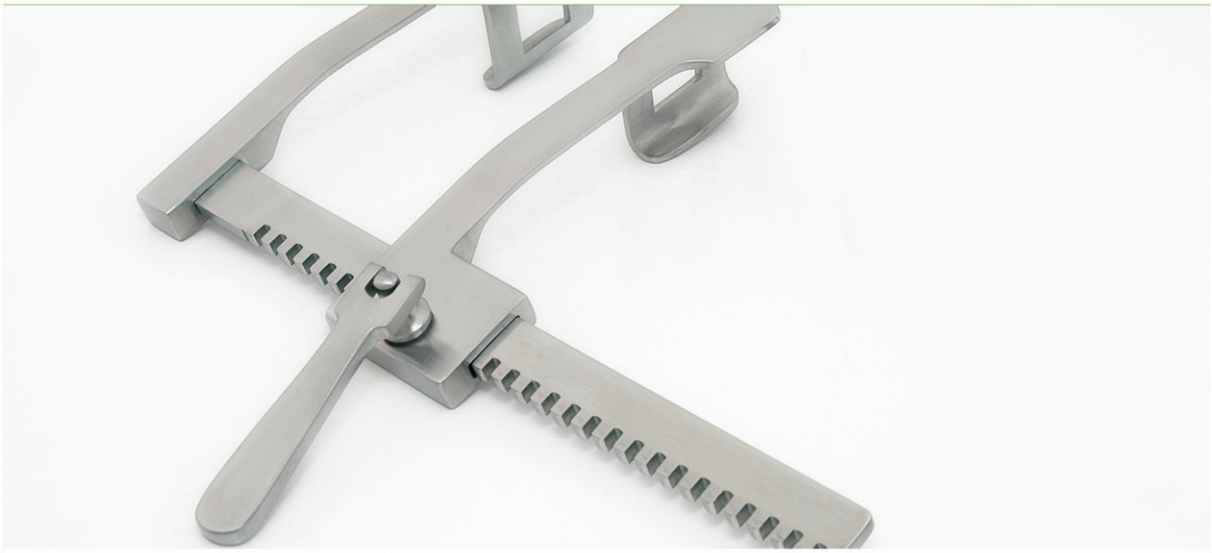
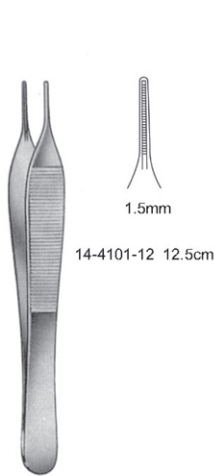


- EN Cardiovascular Surgery
- DE Herz- und Gefäßchirurgie
- ES Cirugía cardiovascular

Page 318 to 357

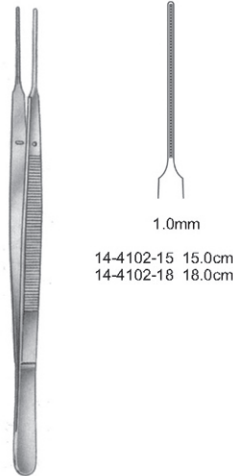


CARDIOVASCULAR



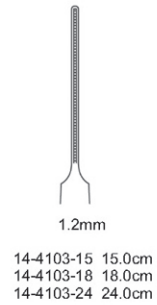
1.5mm  
14-4101-12 12.5cm

DEBAKEY-ADSON

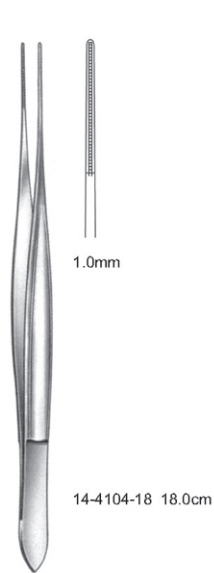


1.0mm  
14-4102-15 15.0cm  
14-4102-18 18.0cm

DEBAKEY-GERALD

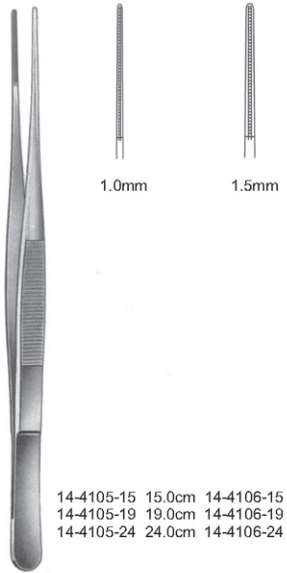


1.2mm  
14-4103-15 15.0cm  
14-4103-18 18.0cm  
14-4103-24 24.0cm



1.0mm  
14-4104-18 18.0cm

DEBAKEY-CUSHING



1.0mm  
1.5mm  
14-4105-15 15.0cm 14-4106-15  
14-4105-19 19.0cm 14-4106-19  
14-4105-24 24.0cm 14-4106-24

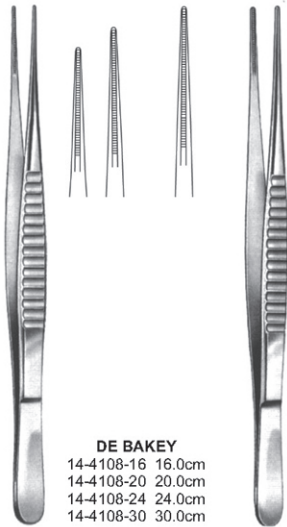
DEBAKEY-DIETRICH



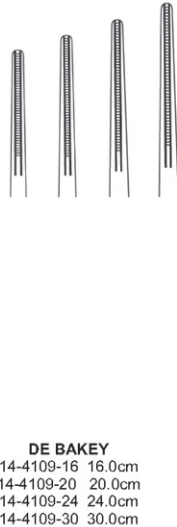
1.0mm  
14-4107-15 15.0cm  
14-4107-19 19.0cm  
14-4107-24 24.0cm

DEBAKEY-LIGHT

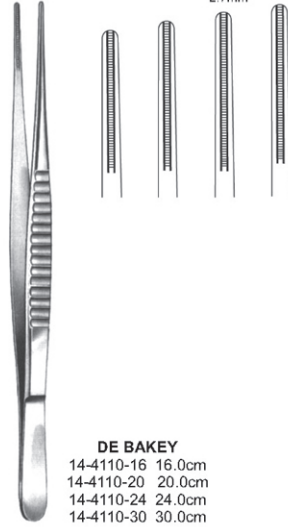
CARDIOVASCULAR



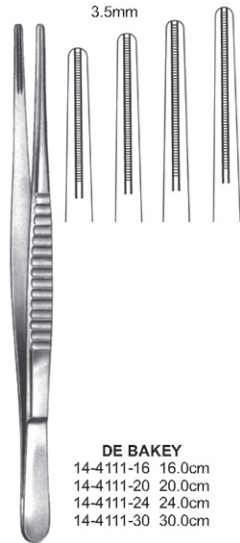
**DE BAKEY**  
14-4108-16 16.0cm  
14-4108-20 20.0cm  
14-4108-24 24.0cm  
14-4108-30 30.0cm



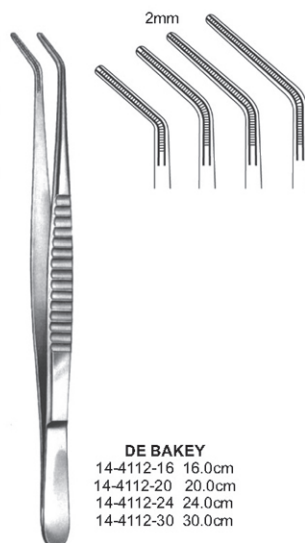
**DE BAKEY**  
14-4109-16 16.0cm  
14-4109-20 20.0cm  
14-4109-24 24.0cm  
14-4109-30 30.0cm



**DE BAKEY**  
14-4110-16 16.0cm  
14-4110-20 20.0cm  
14-4110-24 24.0cm  
14-4110-30 30.0cm



**DE BAKEY**  
14-4111-16 16.0cm  
14-4111-20 20.0cm  
14-4111-24 24.0cm  
14-4111-30 30.0cm

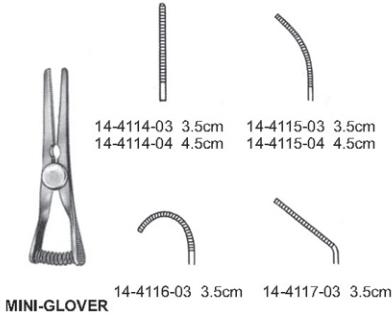


**DE BAKEY**  
14-4112-16 16.0cm  
14-4112-20 20.0cm  
14-4112-24 24.0cm  
14-4112-30 30.0cm

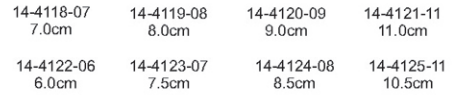


**DE BAKEY**  
14-4114-16 16.0cm  
14-4114-20 20.0cm  
14-4114-24 24.0cm  
14-4114-30 30.0cm

CARDIOVASCULAR



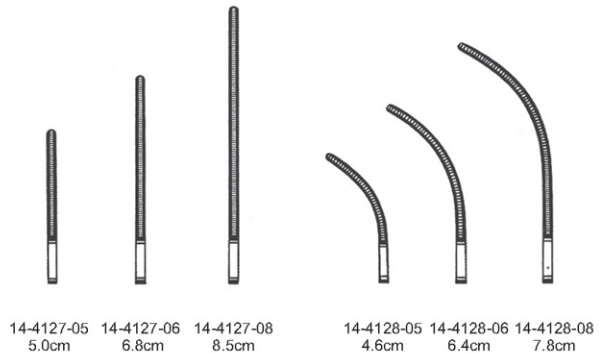
**GLOVER**



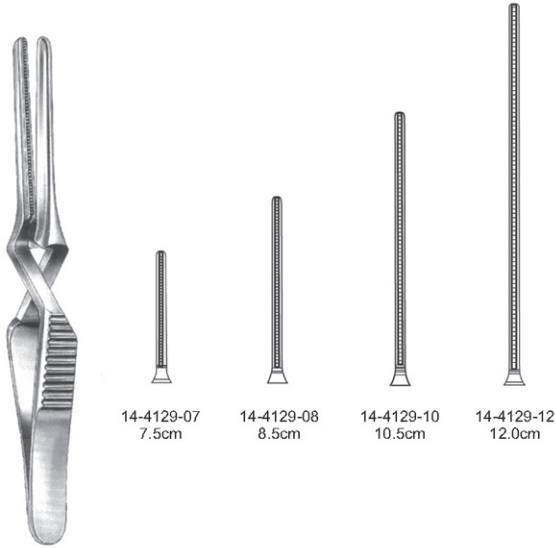
**GLOVER**  
14-4126-05 5.0cm



**GLOVER (DELICATE)**



CARDIOVASCULAR



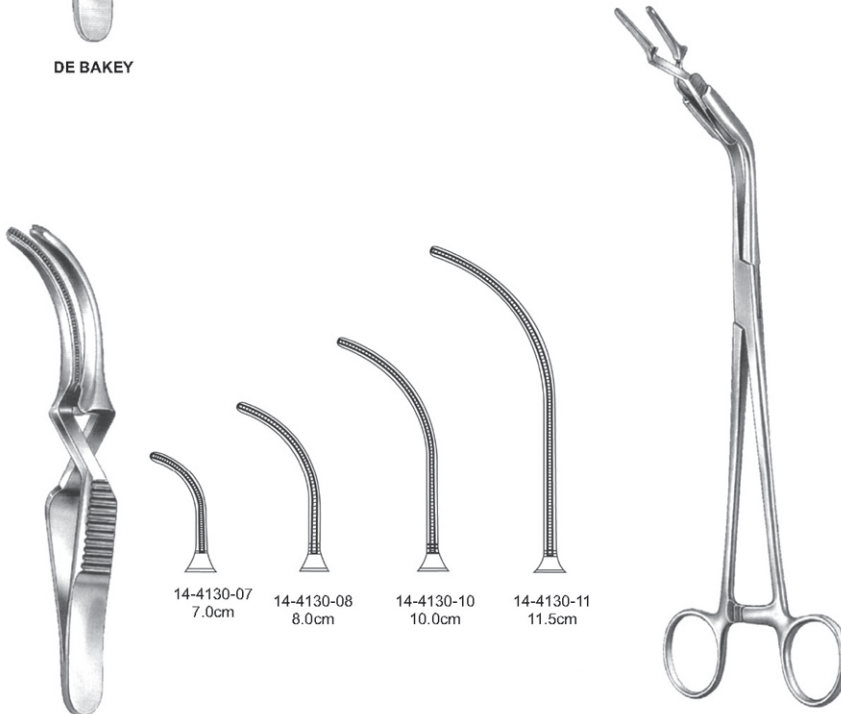
14-4129-07  
7.5cm

14-4129-08  
8.5cm

14-4129-10  
10.5cm

14-4129-12  
12.0cm

DE BAKEY



14-4130-07  
7.0cm

14-4130-08  
8.0cm

14-4130-10  
10.0cm

14-4130-11  
11.5cm

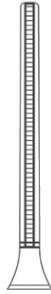
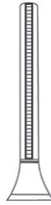
14-4131-23 23.0cm

DE BAKEY

CARDIOVASCULAR



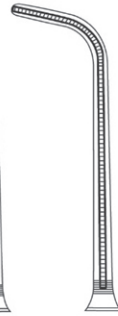
14-4132-09  
9.0cm



14-4132-11  
11.0cm



14-4133-09  
9.0cm



14-4133-11  
11.0cm

GREGORY SOFT

GREGORY SOFT



14-4134-01



14-4134-02

GREGORY SOFT  
11.0cm

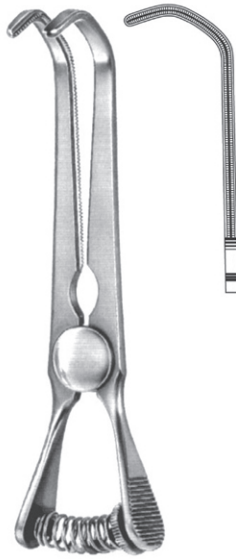


SANTULLI  
14-4135-07 7.0cm

CARDIOVASCULAR



**DE BAKEY-SATINSKY**  
 14-4136-07 7.0cm



**DE BAKEY-SATINSKY**  
 14-4137-10 10.0cm



**DE BAKEY-CAROTIS**  
 14-4138-09 9.0cm

CARDIOVASCULAR



De Bakey

Coarctation Clamps



14-4139-21  
21 cm/8¼"

14-4139-22  
22 cm/8¾"



14-4140-21  
21 cm/8¼"

14-4140-22  
22 cm/8¾"

Potts  
(De Bakey)

Potts  
(De Bakey)



14-4141-21  
21 cm/8¼"

14-4141-22  
22 cm/8¾"

Potts

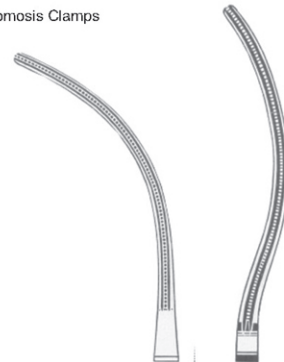


Glover  
(Potts)



De Bakey

Anastomosis Clamps



14-4142-21  
21 cm/8¼"

14-4142-22  
22 cm/8¾"



- EN —●—
- DE —●—
- ES —●—

Atrauma Cardiovascular Forceps  
 Atrauma cardiovascular-klemmen  
 Atrauma pinzas-clamps cardiovasculares

CARDIOVASCULAR

Dissecting and  
 Ligature Forceps



De Bakay

14-4143-20  
 20 cm/8"



14-4143-24  
 24 cm/9½"



De Bakay

14-4144-20  
 20 cm/8"

14-4144-18  
 18 cm/7½"

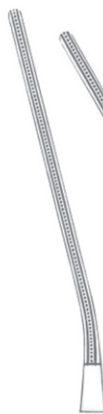


De Bakay

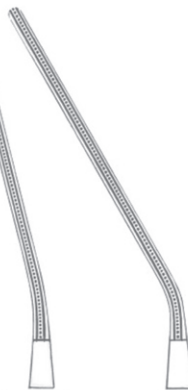


Leland-Jones

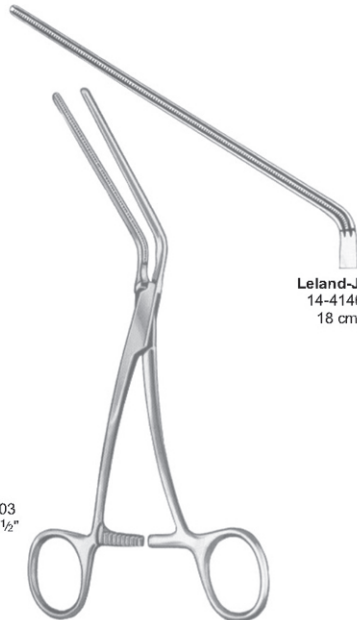
14-4145-01  
 19.5 cm/7½"



14-4145-02  
 19.5 cm/7½"



14-4145-03  
 19.5 cm/7½"



Leland-Jones  
 14-4146-18  
 18 cm/7"

CARDIOVASCULAR

Aortic Aneurysm Clamps



De Bakey



De Bakey



14-4147-24  
24 cm/9½"

14-4147-27  
27 cm/10½"

14-4147-31  
31 cm/12¼"

14-4147-33  
33.5 cm/13¼"



De Bakey-Bainbirdge



14-4148-15  
15 cm/6"

14-4148-18  
18 cm/7"

14-4148-15  
15 cm/6"

14-4148-18  
18 cm/7"



De Bakey  
14-4149-20  
20 cm/8"

CARDIOVASCULAR



De Bakey

Aortic Aneurysm Clamps



**De Bakey**  
 14-4150-28  
 28 cm/11"



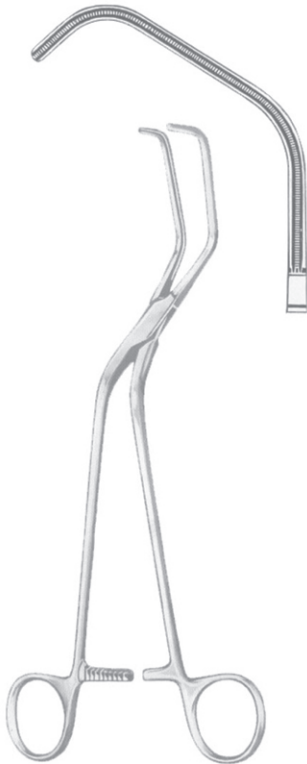
**De Bakey**  
 14-4151-30  
 30 cm/12"

CARDIOVASCULAR



De Bakey

Aortic Clamps



**Ochsner**  
14-4152-23  
23.5 cm/9 1/4"



**Dietrich**  
14-4153-21  
21 cm/8 1/4"

- EN —
- DE —
- ES —

Atrauma Cardiovascular Forceps  
 Atrauma cardiovascular-klemmen  
 Atrauma pinzas-clamps cardiovasculares

CARDIOVASCULAR



De Bakey

Auricle Clamp



Harken



14-4154-01  
 24 cm/9½"



14-4155-02  
 24 cm/9½"



14-4156-03  
 24 cm/9½"



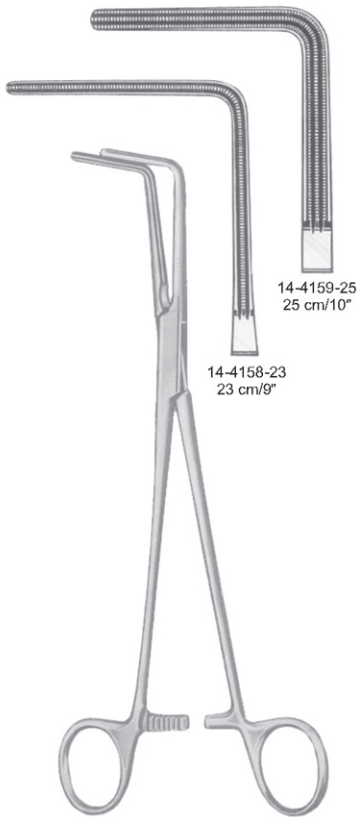
14-4157-04  
 24 cm/9½"

CARDIOVASCULAR



De Bakey

Bronchus Clamps



Lees



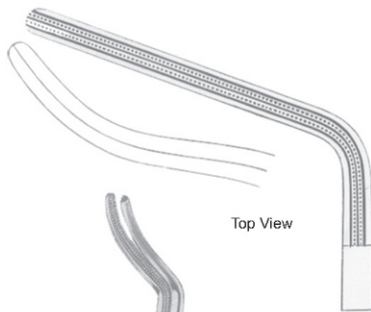
Lees  
14-4160-25  
25 cm/10"

CARDIOVASCULAR



De Bakey

Aortic Clamp



**De Bakey**  
 14-4161-27  
 27 cm/10½"



**De Bakey**  
 14-4162-24  
 24 cm/9½"

Ligature Clamps

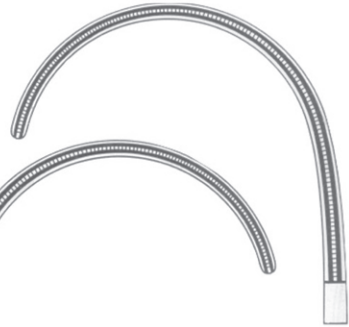


**De Bakey**  
 14-4163-24  
 24 cm/9½"

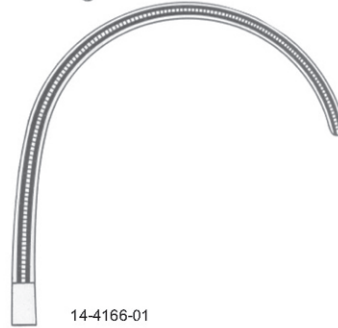
CARDIOVASCULAR



De Bakey



14-4167-02



14-4166-01

Ligature clamp,  
Aortic clamp

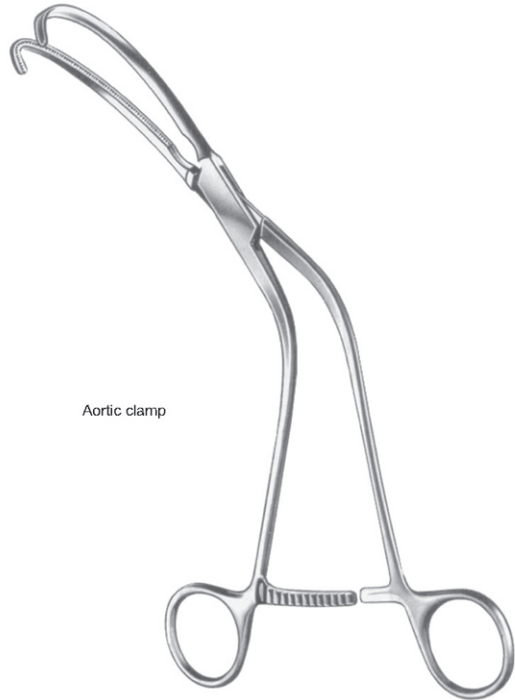


De Bakey  
14-4165-26  
26.5 cm/10½"

De Bakey-Semb  
14-4164-25  
25 cm/10"



De Bakey-Semb



Aortic clamp

Weber  
26 cm/10¼"



- EN —
- DE —
- ES —

Atrauma Cardiovascular Forceps  
 Atrauma cardiovascular-klemmen  
 Atrauma pinzas-clamps cardiovasculares

CARDIOVASCULAR

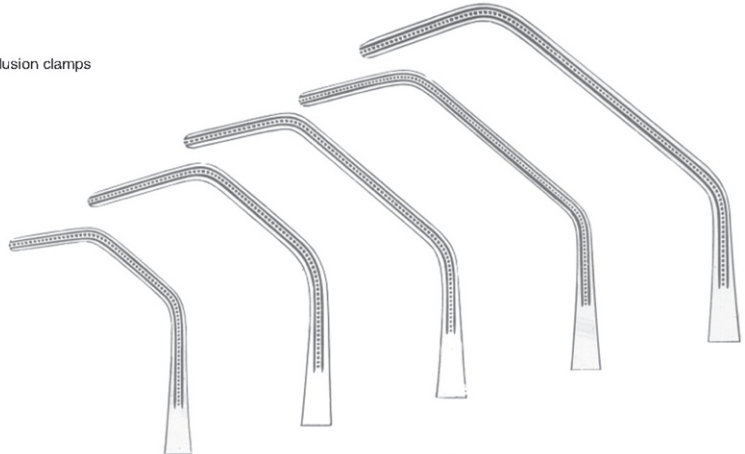


Tangential occlusion clamps

Satinsky/De Bakey



De Bakey



Set of 5 purchase.  
14-4168-00

14-4168-20  
20 cm/8"

14-4168-25  
25 cm/10"

14-4168-26  
26 cm/10 1/4"

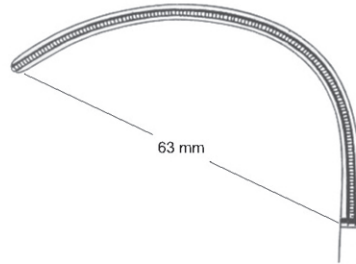
14-4168-27  
27 cm/10 1/2"

14-4168-28  
28 cm/11"



Glover

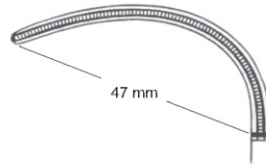
14-4169-01 19.5 cm/7 3/4"  
 14-4169-02 21.0 cm/8 1/4"



Anastomosis

63 mm

14-4169-01



47 mm

14-4169-02

CARDIOVASCULAR

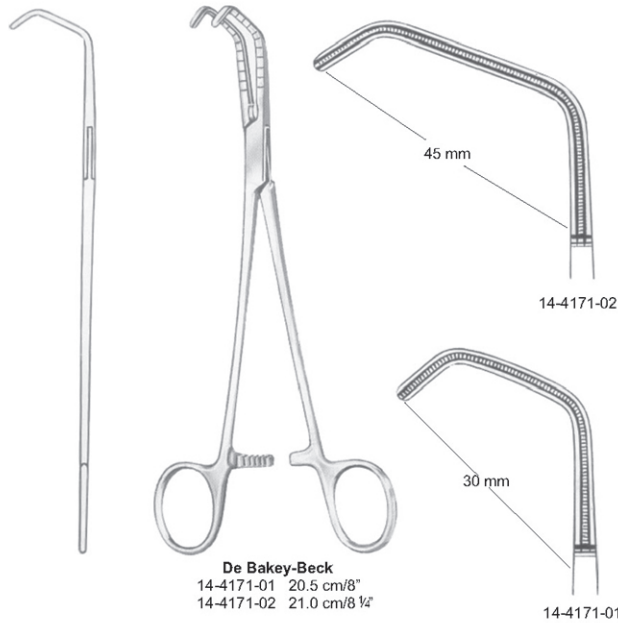


De Bakey



**De Bakey**  
14-4170-16  
16 cm/6 1/4"

Graduated



**De Bakey-Beck**  
14-4171-01 20.5 cm/8"  
14-4171-02 21.0 cm/8 1/4"

- EN —
- DE —
- ES —

Atrauma Cardiovascular Forceps  
 Atrauma cardiovascular-klemmen  
 Atrauma pinzas-clamps cardiovasculares

CARDIOVASCULAR



De Bakey



**Lambert-Kay**  
21 cm/8 1/4"



14-4172-21

14-4172-21

Aortic anastomosis clamps



**De Bakey**  
14-4173-17  
17 cm/6 3/4"



**Beck**  
14-4174-17  
17 cm/6 3/4"

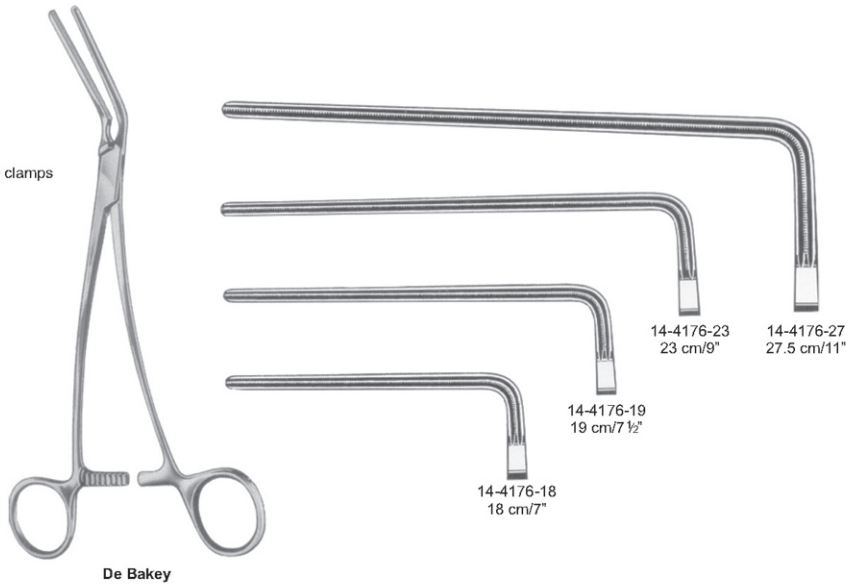
CARDIOVASCULAR



De Bakey



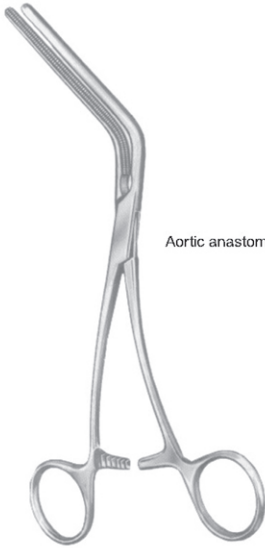
Multi purpose clamps



- EN —●—
- DE —●—
- ES —●—

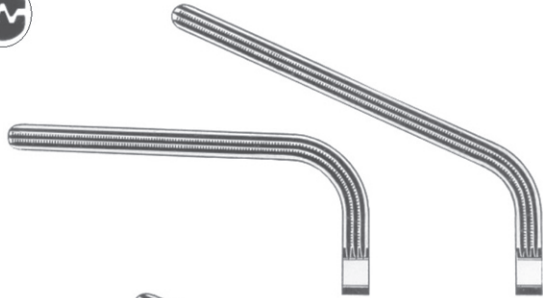
Atrauma Cardiovascular Forceps  
 Atrauma cardiovascular-klemmen  
 Atrauma pinzas-clamps cardiovasculares

CARDIOVASCULAR



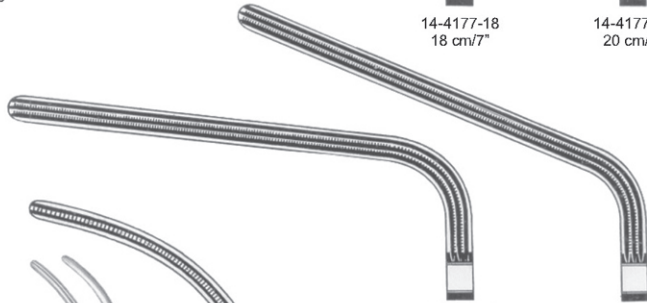
Aortic anastomosis clamps

Morris-De Bakey



14-4177-18  
18 cm/7"

14-4177-20  
20 cm/8"



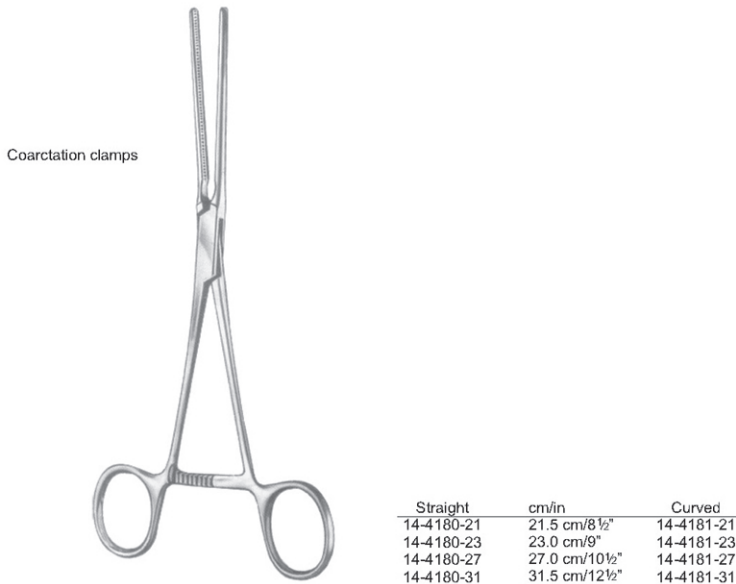
14-4177-23  
23 cm/9"

14-4177-25  
25 cm/10"



Glover  
14-4178-24  
24.5 cm/9¾"

CARDIOVASCULAR



CARDIOVASCULAR

Multi purpose damps



De Bakery



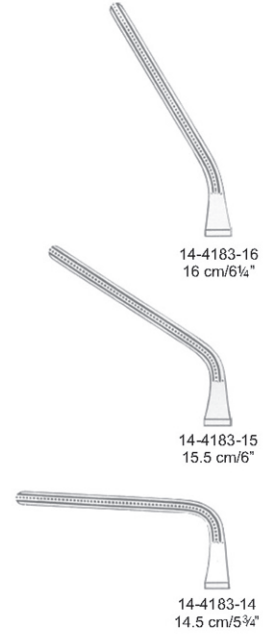
**De Bakery-Rankin**



14-4182-16 16 cm/6 1/4"  
14-4182-16 16 cm/6 1/4"



**Cooley**



14-4183-16  
16 cm/6 1/4"

14-4183-15  
15.5 cm/6"

14-4183-14  
14.5 cm/5 3/4"



**De Bakery**  
14-4184-17  
17 cm/6 3/4"



14-4185-17



14-4186-17

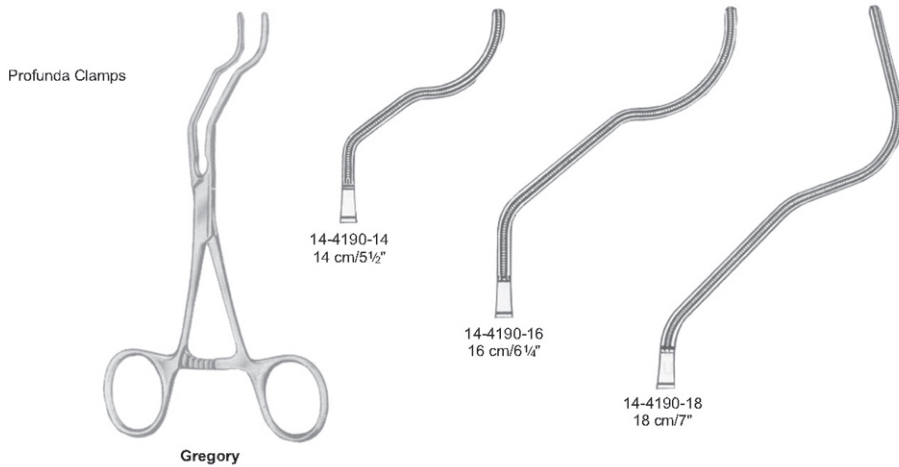
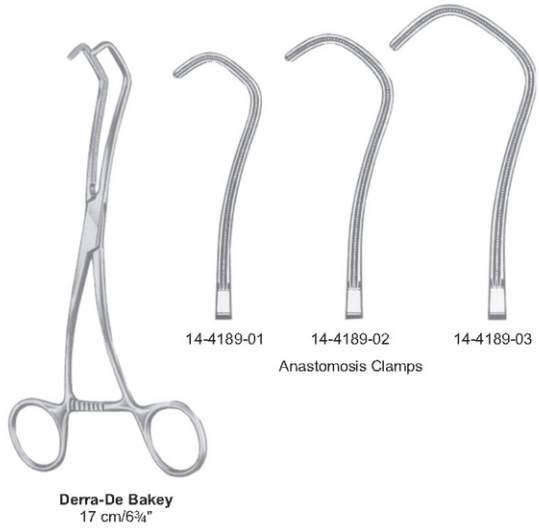
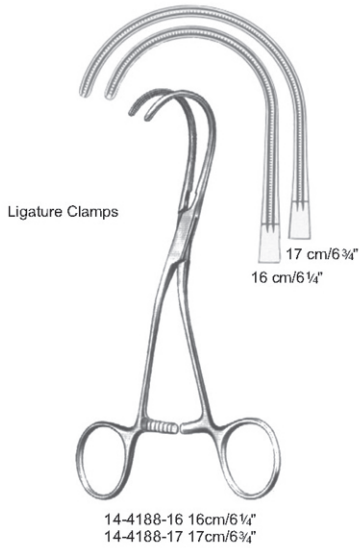


14-4187-17

CARDIOVASCULAR



De Bakey





- EN —
- DE —
- ES —

Atrauma Cardiovascular Forceps  
 Atrauma cardiovascular-klemmen  
 Atrauma pinzas-clamps cardiovasculares

CARDIOVASCULAR



Cooley

Coarctation Clamps



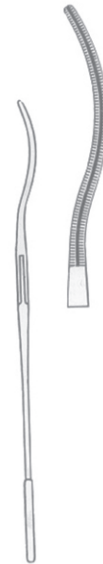
**Cooley**  
 14-4191-17  
 17 cm/6¾"



14-4192-17  
 17 cm/6¾"



14-4193-17  
 17 cm/6¾"



14-4194-17  
 17 cm/6¾"

CARDIOVASCULAR



**Cooley**  
14-4195-20  
20 cm/8"



**Cooley**



**Cooley**



14-4196-03  
17 cm/6 3/4"



14-4197-02  
15.5 cm/6"



14-4198-01  
15 cm/6"



**Cooley**  
14-4199-17  
17 cm/6 3/4"

- EN —●—
- DE —●—
- ES —●—

Atrauma Cardiovascular Forceps  
 Atrauma cardiovascular-klemmen  
 Atrauma pinzas-clamps cardiovasculares

CARDIOVASCULAR

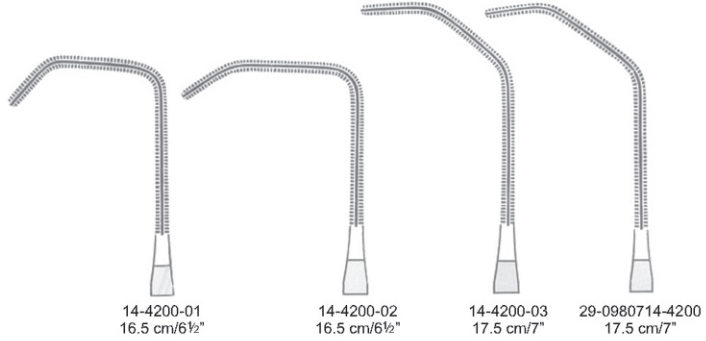
Anastomosis clamps



Cooley



Cooley



14-4200-01  
16.5 cm/6½"

14-4200-02  
16.5 cm/6½"

14-4200-03  
17.5 cm/7"

29-0980714-4200  
17.5 cm/7"



Cooley  
14-4201-16  
16 cm/6¼"



Beck  
14-4202-17  
17 cm/6¾"

CARDIOVASCULAR



Cooley



Cooley-Derra



14-4203-16  
16 cm/6 1/4"



14-4203-17  
17 cm/6 3/4"



14-4203-18  
18 cm/7"



Cooley

14-4204-16 16 cm/6 1/4"  
14-4204-17 17 cm/6 3/4"



Ligature clamps

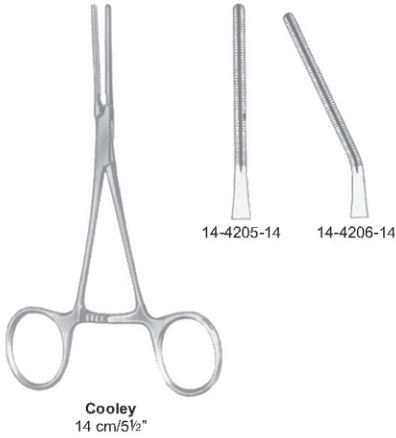
17 cm/6 3/4"  
16 cm/6 1/4"

- EN —
- DE —
- ES —

Atrauma Cardiovascular Forceps  
 Atrauma cardiovascular-klemmen  
 Atrauma pinzas-clamps cardiovasculares

CARDIOVASCULAR

**3** Cooley



CARDIOVASCULAR



**Cooley**  
14-4210-01  
25 cm/10"



**Cooley**  
14-4211-02  
33 cm/13"



**Cooley**  
14-4212-03  
30 cm/12"



**Cooley**  
14-4213-04  
30 cm/12"



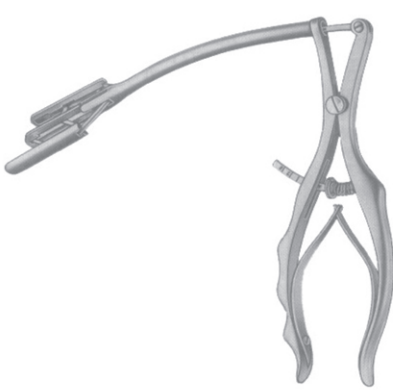
**Cooley**  
14-4214-05  
35 cm/13¾"

Tourniquets



**Rumel-Belmont**  
14-4215-32 3.2 mm Ø  
14-4215-64 6.4 mm Ø

CARDIOVASCULAR



**Cooley**  
14-4216-00



**Gerbode**  
14-4217-00



**Tubbs**  
14-4218-00

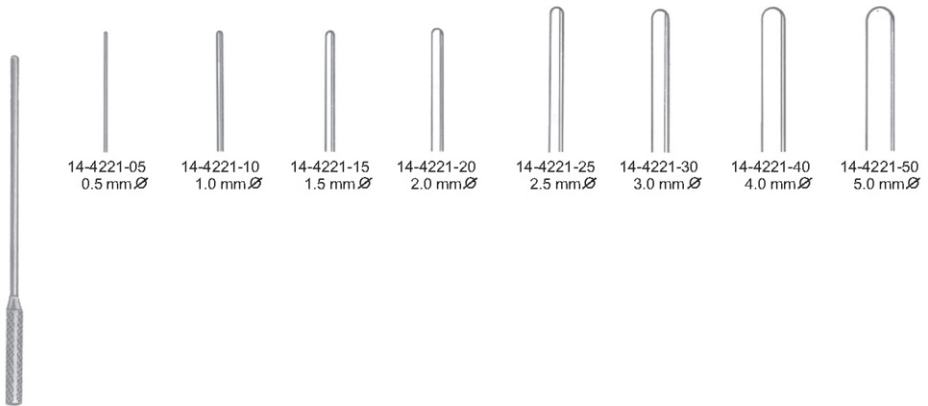
CARDIOVASCULAR



De Bakey

mm Ø	19 cm/7 1/2"	35 cm/14"
0.5	14-4219-05	14-4220-05
1.0	14-4219-10	14-4220-10
1.5	14-4219-15	14-4220-15
2.0	14-4219-20	14-4220-20
2.5	14-4219-25	14-4220-25
3.0	14-4219-30	14-4220-30
3.5	14-4219-35	14-4220-35
4.0	14-4219-40	14-4220-40
4.5	14-4219-45	14-4220-45
5.0	14-4219-50	14-4220-50
7.0	14-4219-70	14-4220-70
9.0	14-4219-90	14-4220-90

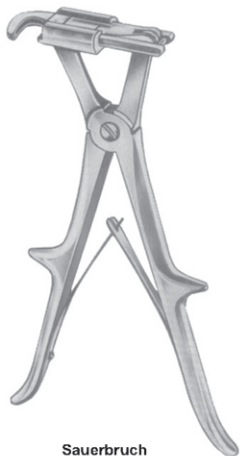
Malleable



Cooley  
 13 cm/5"



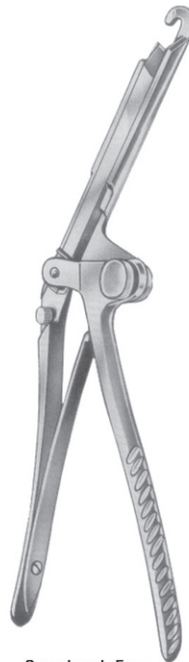
CARDIOVASCULAR



**Sauerbruch**  
14-4222-24 24 cm/9½"  
14-4222-26 26 cm/10¼"



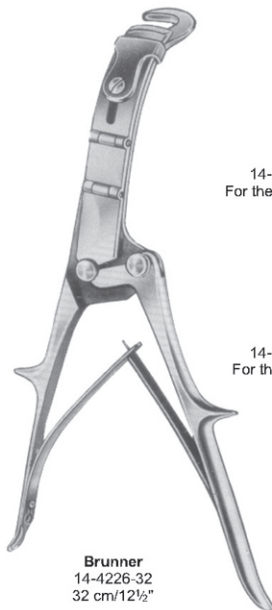
**Gieritz-Stille**  
14-4223-27  
27 cm/10½"



**Sauerbruch-Frey**  
14-4224-36  
36 cm/14"



**Bethune**  
14-4225-34  
34 cm/13½"



**Brunner**  
14-4226-32  
32 cm/12½"

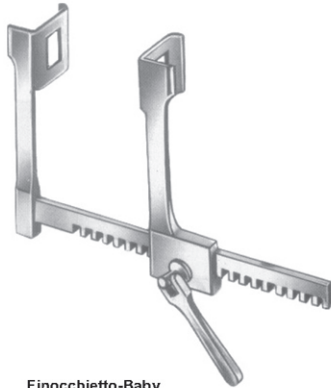
14-4226-32  
For the Right Hand

14-4227-32  
For the left Hand



**Lebsche**  
14-4228-24  
24.5 cm/9¾"

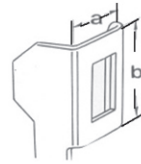
CARDIOVASCULAR



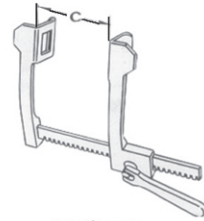
Finocchietto-Baby

	a	b	c
14-4229-00	18 mm	21 mm	105 mm

Scheme of Dimensions



Size of Blades



Total Spread

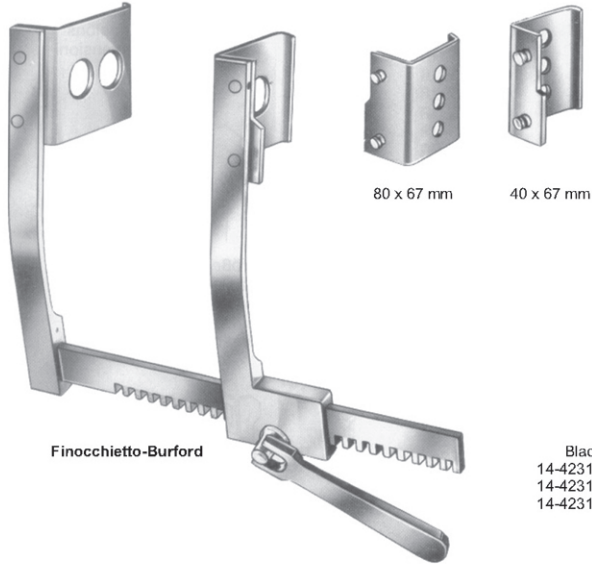


Finocchietto

	a	b	c
14-4230-01	36 mm	45 mm	165 mm
14-4230-02	44 mm	65 mm	200 mm
14-4230-03	44 mm	65 mm	250 mm
14-4230-04	44 mm	65 mm	300 mm
14-4230-05	65 mm	65 mm	200 mm
14-4230-06	65 mm	65 mm	250 mm
14-4230-07	65 mm	65 mm	300 mm

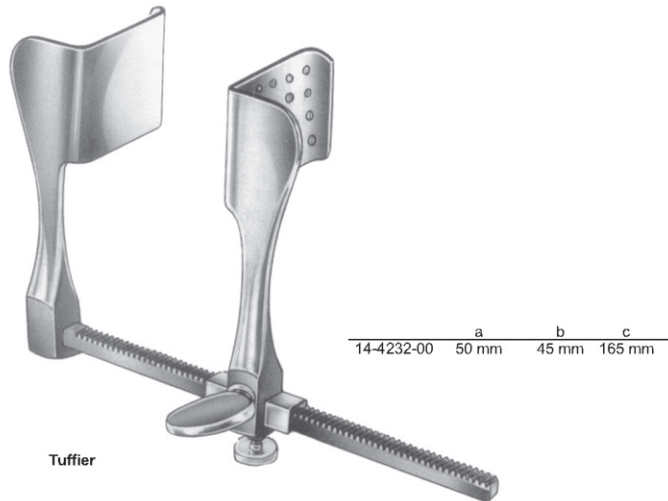
CARDIOVASCULAR

With 2 Pairs of Interchangeable Blades



**Finocchietto-Burford**

Blade Opening  
14-4231-01 200 mm/8"  
14-4231-02 250 mm/10"  
14-4231-03 305 mm/12"



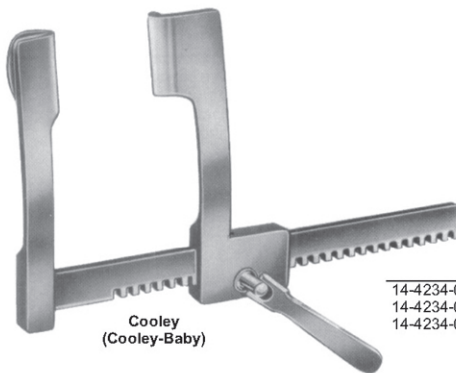
**Tuffier**

CARDIOVASCULAR



Haight

	a	b	c
14-4233-00	30 mm	30 mm	115 mm

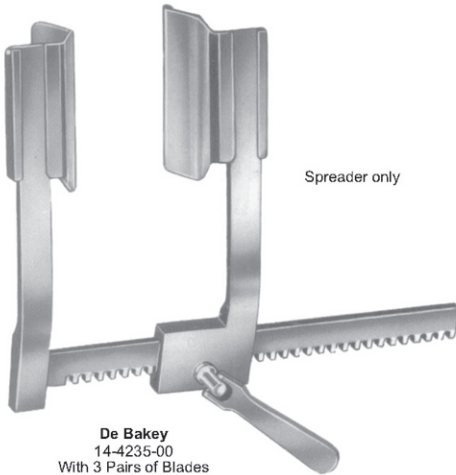


Cooley  
(Cooley-Baby)

	a	b	c
14-4234-01	15 mm	30 mm	75 mm
14-4234-02	21 mm	45 mm	145 mm
14-4234-03	32 mm	50 mm	190 mm

CARDIOVASCULAR

◀ 200 mm ▶

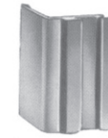


Spreader only

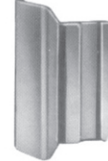
**De Bakey**  
14-4235-00  
With 3 Pairs of Blades  
14-4235-01  
14-4235-02  
14-4235-03



14-4235-01  
60 x 60 mm



14-4235-02  
50 x 80 mm



14-4235-03  
40 x 100 mm

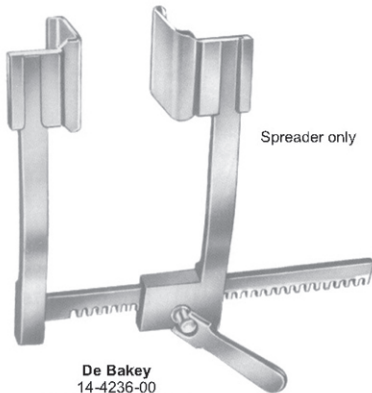


14-4235-04  
80 x 80 mm



14-4235-05  
50 x 66 mm

◀ 150 mm ▶



Spreader only

**De Bakey**  
14-4236-00  
With 3 Pairs of Blades



14-4236-01  
30 x 30 mm



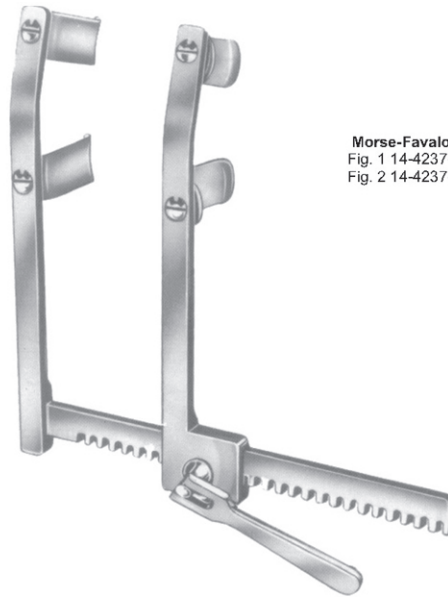
14-4236-02  
40 x 40 mm



14-4236-03  
50 x 50 mm

CARDIOVASCULAR

◀ Fig. 1 15 cm/6" ▶  
◀ Fig. 2 20 cm/8" ▶

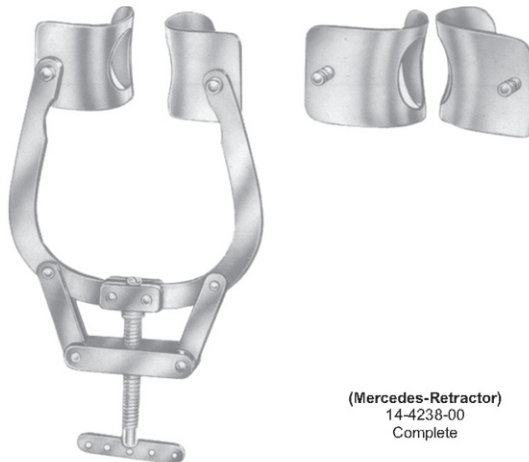


**Morse-Favaloro**  
Fig. 1 14-4237-01  
Fig. 2 14-4237-02

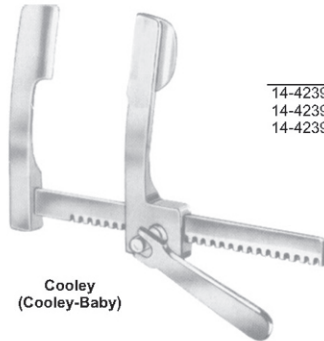
75 x 75 mm

42 x 65 mm

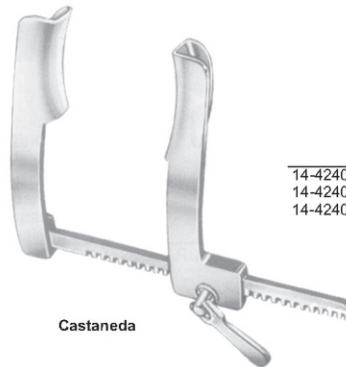
Thoracic Retractor



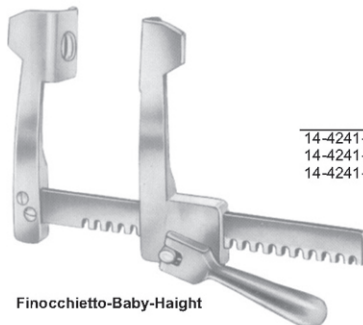
**(Mercedes-Retractor)**  
14-4238-00  
Complete

**CARDIOVASCULAR**

**Cooley  
(Cooley-Baby)**

	a	b	c
14-4239-01	12 mm	17 mm	75 mm
14-4239-02	16 mm	30 mm	105 mm
14-4239-03	37 mm	49 mm	200 mm


**Castaneda**

	a	b	c
14-4240-01	10.5 mm	32 mm	65 mm
14-4240-02	12 mm	45 mm	70 mm
14-4240-03	15 mm	60 mm	120 mm


**Finocchietto-Baby-Haight**

	a	b	c
14-4241-01	15 mm	15 mm	75 mm
14-4241-02	31 mm	31 mm	100 mm
14-4241-03			

CARDIOVASCULAR



**Finocchetto**

	a	b	c
14-4242-01	38 mm	44 mm	135 mm
14-4242-02	52 mm	62 mm	135 mm
14-4242-03	85 mm	65 mm	135 mm



**Burford**  
With 2 Pairs of Blades

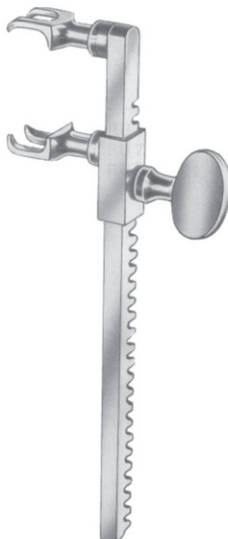
For Child	a	b	c
14-4243-00	48 mm	42 mm	135 mm
14-4243-01	34 mm	42 mm	135 mm
14-4243-02	65 mm	62 mm	180 mm
14-4243-03	47 mm	62 mm	260 mm
	65 mm	62 mm	300 mm
	47 mm	62 mm	



CARDIOVASCULAR



**Lemmon**  
 14-4244-18  
 18 cm/7"



**Sellors**  
 14-4245-19  
 19 cm/7½"



**Bailey-Baby**  
 14-4246-14  
 14 cm/5½"



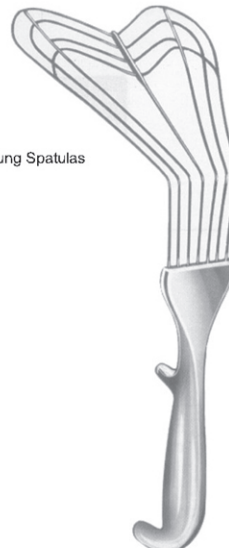
**Bailey**  
 14-4247-16  
 16 cm/6¼"



**Bailey-Gibbon**  
 14-4248-16  
 16 cm/6¼"



**Allison**  
 14-4249-25 25.5 cm/10"  
 14-4249-30 30.0 cm/12"



Lung Spatulas

14-4250-30  
 30 cm/12"