

- EN Neurosurgery
- DE Neurochirurgie
- ES Neuro Cirugía

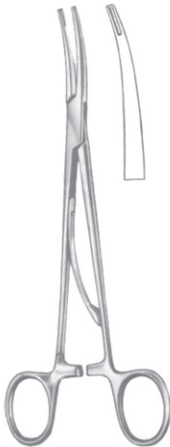
Page 358 to 388



Applying and Removing Forceps



Raney
15-4310-00
16 cm/6¼"

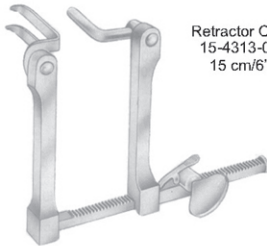


McKenzie
15-4311-15 15 cm/6"
15-4311-19 19 cm/7½"



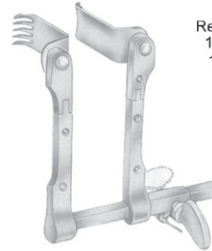
Olivecrona-Tonnis
15-4312-14

NEURO SURGERY



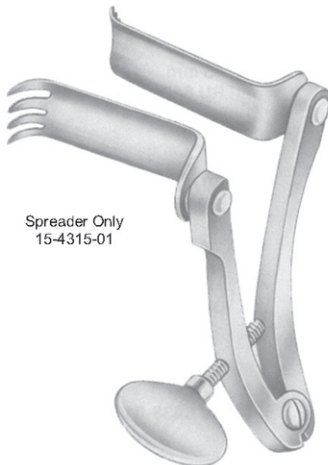
Retractor Only
15-4313-01
15 cm/6"

Caspar
15-4313-00
Retractor Complete With
1 Blade Each
15-4313-40
15-4313-50



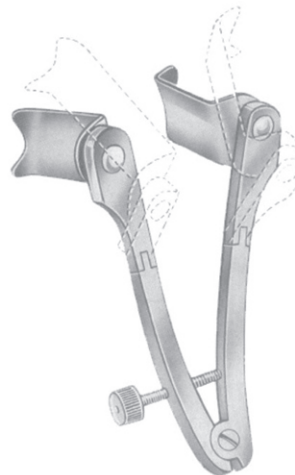
Retractor Only
15-4314-01
12 cm/4¾"

Caspar
15-4314-00
Retractor Complete With
1 Blade Each
15-4314-40
15-4314-50



Spreader Only
15-4315-01

Caspar
15-4315-00
Retractors Only
Spreaders Complete With
1 Blade Each
15-4315-45
15-4315-60



Spreader Only
15-4316-01

Caspar
15-4316-00
Spreader Only
Retractor Complete With
1 Blade Each
15-4316-40
15-4316-60

NEURO SURGERY

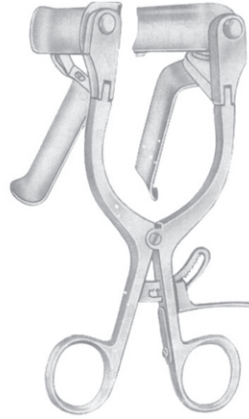
15-4317-01
15 cm/6"
Retractor only

Caspar
15-4317-00
15-4317-45
15-4317-65
Retractor complete with
1 blade each



15-4318-01
15 cm/6"
Retractor only

Caspar
15-4318-00
15-4318-45
15-4318-65
Retractor adjustable, con
1 blade each



15-4319-01
Retractor only
with 1 fixed blade

Caspar
15-4319-00
Retractor complete,
with 5 blades

15-4319-40
40 mm



15-4319-45
45 mm



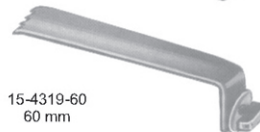
15-4319-50
50 mm



15-4319-55
55 mm



15-4319-60
60 mm



NEURO SURGERY



15-4320-01
Retractor only

Cloward
15-4320-00
25 cm/10"
complete with 5 blades



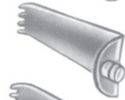
15-4320-40
15x40 mm



15-4320-45
15x45 mm



15-4320-50
15x50 mm



15-4320-55
15x55 mm



15-4320-60
15x60 mm



15-4321-01
Retractor only

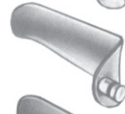
Cloward
15-4321-00
15 cm/6"
complete with 5 blades



15-4321-40
15x40 mm



15-4321-45
15x45 mm



15-4321-50
15x50 mm



15-4321-55
15x55 mm



15-4321-60
15x60 mm

NEURO SURGERY



Inge
15-4322-16
16 cm/6¼"



Inge
15-4323-25
27 cm/10¾"



Cloward
15-4324-15
15 cm/6"



Cloward
15-4325-16
16 cm/6¼"

- EN —
- DE —
- ES —

Lamina Spreaders
 Wirbelkörperspreizer
 Separadores para cuerpos vertebrales

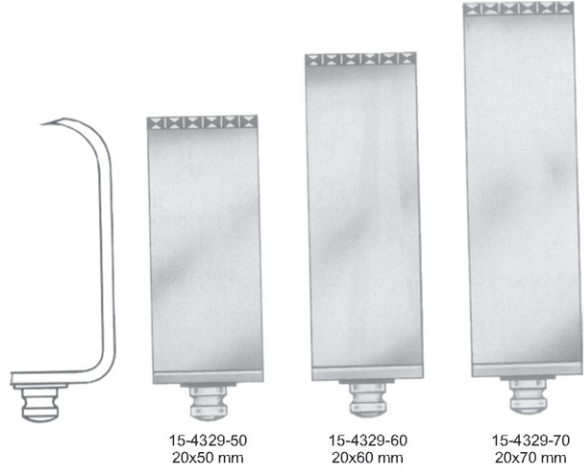
NEURO SURGERY

Muscle blades



Frame
 15-4326-01

Hey
 15-4327-00
 15-4328-00
 23 cm/9"

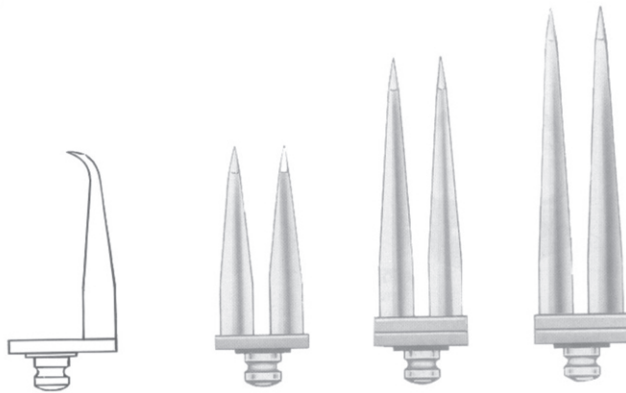


15-4329-50
 20x50 mm

15-4329-60
 20x60 mm

15-4329-70
 20x70 mm

Vertebra-pins



15-4330-50
 50 mm

15-4330-60
 60 mm

15-4330-70
 70 mm

NEURO SURGERY

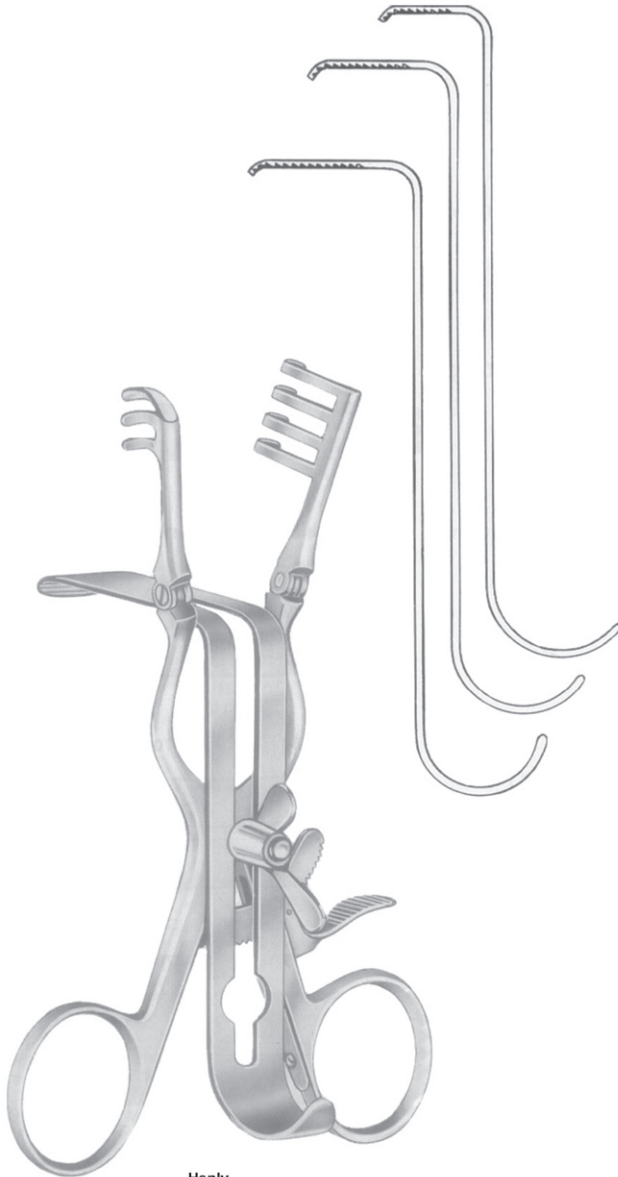


	Left-type	Right-type
50x10 mm	15-4331-01	15-4332-01
60x10 mm	15-4331-02	15-4332-02
70x10 mm	15-4331-03	15-4332-03
50x20 mm	15-4333-01	15-4334-01
60x20 mm	15-4333-02	15-4334-02
70x20 mm	15-4333-03	15-4334-03

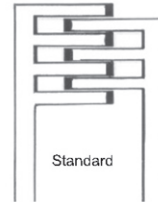


EN — Muscle Retractors
 DE — Muscle Retraktoren
 ES — Los retractores del músculo

NEURO SURGERY



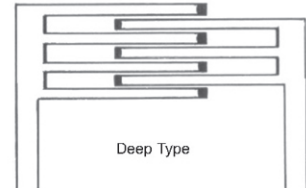
Henly



Standard

15-4335-00 Complete 15-4336-00
 14.5 cm/5¾" Consisting of 17 cm/6¾"

15-4335-01 Frame 15-4336-01
 15-4335-21 Centre Blades 15-4336-21
 15-4335-22 15-4336-22
 15-4335-23 15-4336-23



Deep Type

15-4337-00 Complete 15-4338-00
 14.5 cm/5¾" Consisting of 17 cm/6¾"

15-4337-01 Centre Blades 15-4338-01
 15-4337-21 15-4338-21
 15-4337-22 15-4338-22
 15-4337-23 15-4338-23

NEURO SURGERY



Davis
15-4339-24
24.5 cm/9 3/4"



Toennis
15-4340-25
25 cm/10"



Frazier
15-4341-15



Hoer
15-4342-15

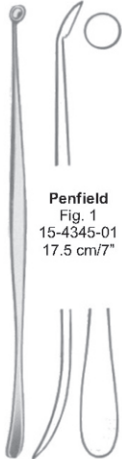


Hoer
15-4343-15

15 cm/6"



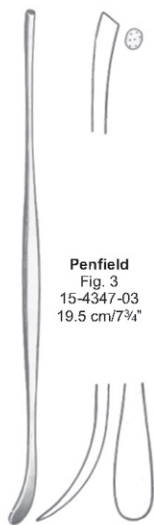
Love-Adson
15-4344-16
16 cm/6 1/2"



Penfield
Fig. 1
15-4345-01
17.5 cm/7"



Penfield
Fig. 2
15-4346-02
19.5 cm/7 3/4"



Penfield
Fig. 3
15-4347-03
19.5 cm/7 3/4"



Penfield
Fig. 4
15-4348-04
21.5 cm/8 1/2"

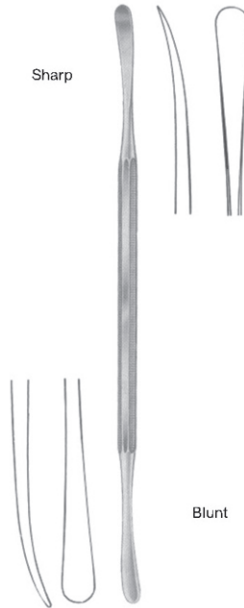


Penfield
Fig. 5
15-4349-05
29 cm/11 1/2"

NEURO SURGERY



Sachs
 15-4350-21
 21 cm/8¼"



Sharp

Blunt

15-4351-22
 22 cm/8½"



Woodsen
 15-4352-25
 25 cm/10"



Fragar
 15-4353-20
 20 cm/8"



Fragar
 15-4354-20
 20 cm/8"



Sachs
 15-4355-21
 21 cm/8¼"



Milligan
15-4356-21
21 cm/8 1/4"



Olivecrona
15-4357-18 18 cm/7"
15-4357-24 24 cm/9 1/2"



Olivecrona
15-4358-19 19.5 cm/7 3/4"
15-4358-24 24 cm/9 1/2"



Horsley
15-4359-20
20 cm/8"



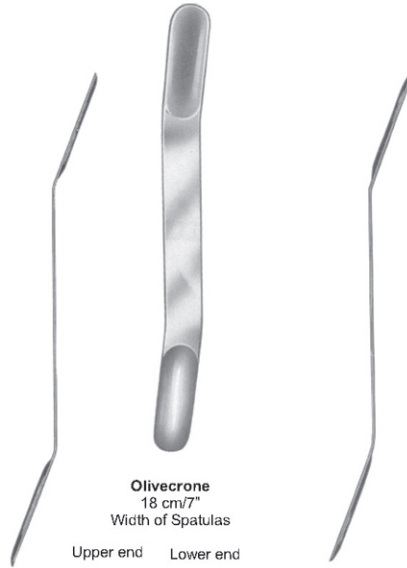
Sachs
15-4360-21
21 cm/8 1/4"

NEURO SURGERY



Cushing
 17 cm/6 3/4"
 20 cm/8"
 28 cm/11"

15-4361-17
 15-4361-20
 15-4361-28



Olivecrona
 18 cm/7"
 Width of Spatulas

	Upper end		Lower end		
	Concave	mm	mm	Convex	
	15-4362-01	7	9	15-4363-01	
	15-4362-02	11	13	15-4363-02	
	15-4362-03	15	18	15-4363-03	
	15-4362-04	18	22	15-4363-04	



Heifetz
 20 cm/8"

Width of Spatulas

Upper end		Lower end
mm		mm
7	15-4364-08	8
10	15-4364-11	11
13	15-4364-13	14
16	15-4364-17	17
19	15-4364-20	20
22	15-4364-25	22



Heifetz
 15.5 cm/6"

Width of Spatulas

15-4365-08	8
15-4365-11	11
15-4365-13	14
15-4365-17	17

Length of Spatulas

NEURO SURGERY



18 cm/7"

Width of spatulas

Upper end	Lower end	
mm	mm	
7	9	15-4366-09
11	13	15-4366-13
15	18	15-4366-18
18	22	15-4366-22



20 cm/8"
 12 mm 15-4367-12
 17 mm 15-4367-17



20 cm/8"
 14 mm 15-4368-14
 17 mm 15-4368-17
 20 mm 15-4368-20



15-4369-01
 19cm/7½"



Love
 15-4370-02
 19 cm/7½"



15-4371-03



Love
 15-4372-21
 21 cm/8¼"

NEURO SURGERY

Length of spatulas



70 mm 100 mm
 3 mm 15-4373-03 15-4374-03



5 mm 15-4373-05 15-4374-05



7 mm 15-4373-07 15-4374-07



Love



Scoville
 23 cm/9"

7 mm 15-4375-07
 9 mm 15-4375-09



Holsher
 7mm 15-4376-07
 9mm 15-4376-09
 24 cm/9½"



8 mm 15-4377-08
 13 mm 15-4377-13



Taylor
30x 70 mm 15-4378-07 17 cm/6¾"
30x100 mm 15-4378-10 17 cm/6¾"



Oldberg
21 cm/8¼"



15-4379-01



15-4379-02



15-4379-03



15-4379-04

NEURO SURGERY



Cushing
 15-4380-19 19 cm/7¾"
 15-4380-28 28 cm/11"



Smithwick
 15-4381-17 17 cm/6½"
 15-4381-21 21 cm/8¼"



Cushnig
 15-4382-14
 14 cm/5½"



Adson
 20 cm/8"



15-4383-01



15-4383-02

NEURO SURGERY



Cloward
15-4384-16
16 cm/6 1/2"



Hoen
15-4385-22
22 cm/8 3/4"



Dandy
15-4386-01
20 cm/8"



Dandy
15-4387-02
20 cm/8"



Dandy
15-4388-03
20 cm/8"



Smithwick
15-4389-29
29 cm/11 3/4"



Scoville
15-4390-30
30 cm/12"



Scoville
15-4391-30
30 cm/12"

NEURO SURGERY



Graham
15-4392-16
16.5 cm/6 1/2"



Toennis
15-4393-15
15 cm/6"



Frazier
15-4394-13 13 cm/5"
15-4394-18 18 cm/7"



Toennis
15-4395-13 13 cm/5"
15-4395-18 18 cm/7"



Olivecrona
15-4396-23
23 cm/9"



Olivecrona
15-4397-20
20.5 cm/8"

NEURO SURGERY



Ferris-Smith-Kerrison




	Width of Bite	Length of Shaft		
		15 cm/6"	20 cm/8"	18 cm/7"
Cutting Upward	0.6 mm			15-4404-00
	1 mm			15-4404-01
	2 mm			15-4404-02
	3 mm	15-4398-03	15-4401-03	15-4404-03
	4 mm			15-4404-04
	5 mm	15-4398-05	15-4401-05	15-4404-05
Cutting Upward 40°	0.6 mm			15-4405-00
	1 mm			15-4405-01
	2 mm			15-4405-02
	3 mm	15-4399-03	15-4402-03	15-4405-03
	4 mm			15-4405-04
	5 mm	15-4399-05	15-4402-05	15-4405-05
Cutting Downwards	0.6 mm			15-4406-00
	1 mm			15-4406-01
	2 mm			15-4406-02
	3 mm	15-4400-03	15-4403-03	15-4406-03
	4 mm			15-4406-04
	5 mm	15-4400-05	15-4403-05	15-4406-05

EN	Intervertebral Disc Rongeurs
DE	Bandscheibenstanzen
ES	Pinzas cortantes para discos intervertebrales

NEURO SURGERY







Ferris-Smith-Kerrison

		Width of Bite		Length of Shaft	
			15 cm/6"	20 cm/8"	18 cm/7"
Cutting Upward		3 mm	15-4407-03	15-4410-03	15-4413-03
		5 mm	15-4407-05	15-4410-05	15-4413-05
Cutting Upward 40°		3 mm	15-4408-03	15-4411-03	
		5 mm	15-4408-05	15-4411-05	
Cutting Downward		3 mm	15-4409-03	15-4412-03	15-4414-03
		5 mm	15-4409-05	15-4412-05	15-4414-05

NEURO SURGERY



Love-Kerrison

		Width of Bite		Length of Shaft	
		2 mm	15 cm/6"	20 cm/8"	18 cm/7"
Cutting Upward		2 mm			15-4419-02
		3 mm	15-4415-03	15-4417-03	15-4419-03
		4 mm	15-4415-04	15-4417-04	15-4419-04
		5 mm	15-4415-05	15-4417-05	15-4419-05
		6 mm			15-4419-06
Cutting Upward 40°		2 mm			15-4420-02
		3 mm			15-4420-03
		4 mm			15-4420-04
		5 mm			15-4420-05
		6 mm			15-4420-06
Cutting Downward		2 mm			15-4421-02
		3 mm	15-4416-03	15-4418-03	15-4421-03
		4 mm	15-4416-04	15-4418-04	15-4421-04
		5 mm	15-4416-05	15-4418-05	15-4421-05
		6 mm			15-4421-06
Cutting Upward 40°		2 mm			15-4422-02
		3 mm			15-4422-03
		4 mm			15-4422-04
		5 mm			15-4422-05
		6 mm			15-4422-06

NEURO SURGERY



Colclough

		Width of Bite	Length of Shaft	
			15 cm/6"	20 cm/8"
Cutting Upward		3 mm	15-4423-03	15-4426-03
		5 mm	15-4423-05	15-4426-05
Cutting Upward 40°		3 mm	15-4424-03	15-4427-03
		5 mm	15-4424-05	15-4427-05
Cutting Downward		3 mm	15-4425-03	15-4428-03
		5 mm	15-4425-05	15-4428-05

NEURO SURGERY



	Length Of Shaft			
Cushing 2 x 10 cm	5"/13 cm	15-4429-01	15-4430-02	15-4431-03
	6"/15 cm	15-4429-01	15-4430-02	15-4431-03
	7"/18 cm	15-4429-01	15-4430-02	15-4431-03
Love-Grunwald 3 x 10 cm	5"/13 cm	15-4429-01	15-4430-02	15-4431-03
	6"/15 cm	15-4429-01	15-4430-02	15-4431-03
	7"/18 cm	15-4429-01	15-4430-02	15-4431-03
Spurling 4 x 10 cm	5"/13 cm	15-4429-01	15-4430-02	15-4431-03
	6"/15 cm	15-4429-01	15-4430-02	15-4431-03
	7"/18 cm	15-4429-01	15-4430-02	15-4431-03

NEURO SURGERY



	Length Of Shaft			
Cushing 2 x 10 cm	5"/13 cm	15-4432-01	15-4433-02	15-4434-03
	6"/15 cm	15-4432-01	15-4433-02	15-4434-03
	7"/18 cm	15-4432-01	15-4433-02	15-4434-03
Love-Grunwald 3 x 10 cm	5"/13 cm	15-4432-01	15-4433-02	15-4434-03
	6"/15 cm	15-4432-01	15-4433-02	15-4434-03
	7"/18 cm	15-4432-01	15-4433-02	15-4434-03
Spurling 4 x 10 cm	5"/13 cm	15-4432-01	15-4433-02	15-4434-03
	6"/15 cm	15-4432-01	15-4433-02	15-4434-03
	7"/18 cm	15-4432-01	15-4433-02	15-4434-03

NEURO SURGERY



Ferris-Smith

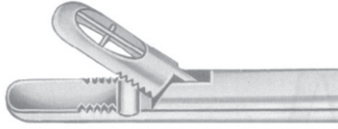
Width Of Jaw



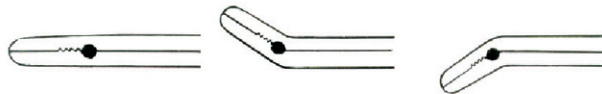
2 x 10 mm	15-4435-01	15-4436-02	15-4437-03
3 x 10 mm	15-4435-01	15-4436-02	15-4437-03
4 x 10 mm	15-4435-01	15-4436-02	15-4437-03

EN	→	Laminectomy Rongeurs
DE	→	Laminektomie-Zangen
ES	→	Pinzas cortantes para laminectomía

NEURO SURGERY

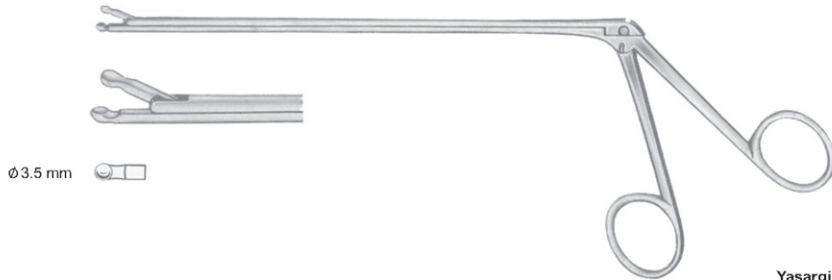


Serrated and Fenestrated Jaws



Wich Of Jaw	Length Of Shaft			
mm	14 cm/5 1/2"	15-4438-01	15-4438-02	15-4438-03
	16 cm/6 1/4"	15-4439-01	15-4439-02	15-4439-03
2 x 12	14 cm/5 1/2"	15-4440-01	15-4440-02	15-4440-03
	16 cm/6 1/4"	15-4441-01	15-4441-02	15-4441-03
3 x 12	14 cm/5 1/2"	15-4442-01	15-4442-02	15-4442-03
	16 cm/6 1/4"	15-4443-01	15-4443-02	15-4443-03
4 x 14	14 cm/5 1/2"	15-4444-01	15-4444-02	15-4444-03
	16 cm/6 1/4"	15-4445-01	15-4445-02	15-4445-03
5 x 14	14 cm/5 1/2"	15-4446-01	15-4446-02	15-4446-03
	16 cm/6 1/4"	15-4447-01	15-4447-02	15-4447-03

NEURO SURGERY



Yasargil
15-4448-35
19.5 cm/7 $\frac{3}{4}$ "



Oldberg
15-4449-65
18 cm/7"

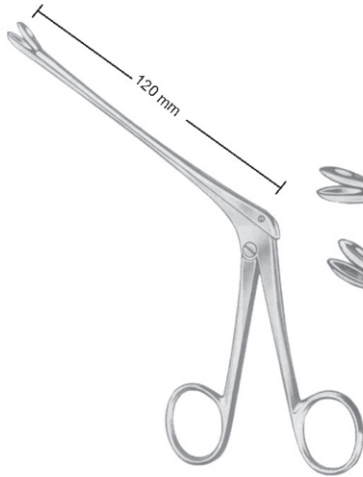


Landolt
15-4450-90
21 cm/8 $\frac{1}{4}$ "
Tumor Grasping Forceps Blunt

- EN —●—
- DE —●—
- ES —●—

Laminectomy Rongeurs
 Laminektomie-Zangen
 Pinzas cortantes para laminectomía

NEURO SURGERY



Weil-Blakesley



15-4451-01



15-4451-02



15-4451-03



15-4451-04



15-4451-05



15-4452-01

15-4452-02

15-4452-03

15-4452-04

15-4452-05



15-4453-01



15-4453-02



15-4453-03



15-4453-04



15-4453-05



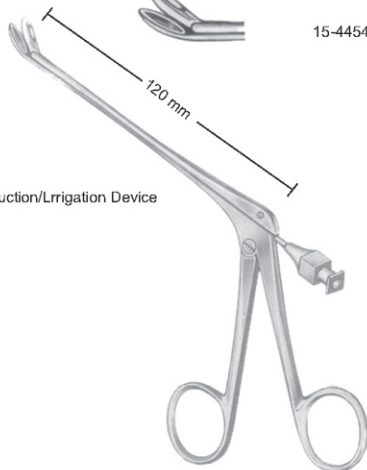
15-4454-01

15-4454-02

15-4454-03

15-4454-04

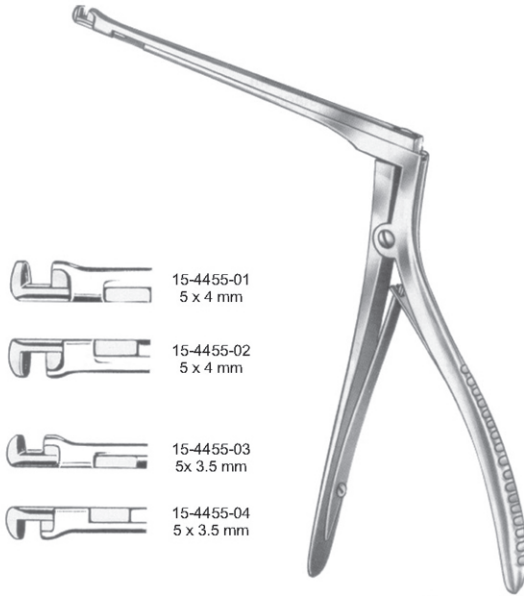
15-4454-05







With Suction/Irrigation Device

Weil-Blakesley

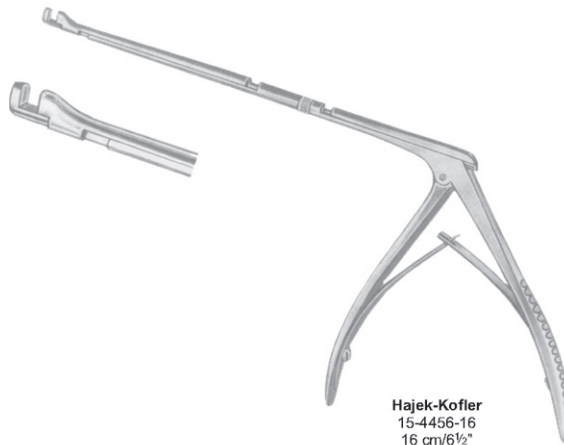
NEURO SURGERY



-  15-4455-01
5 x 4 mm
-  15-4455-02
5 x 4 mm
-  15-4455-03
5 x 3.5 mm
-  15-4455-04
5 x 3.5 mm

**Hajek
(Hajek-Kofler)**
14 cm/5½"

360° Turnable



Hajek-Kofler
15-4456-16
16 cm/6½"