

EN Tracheotomy

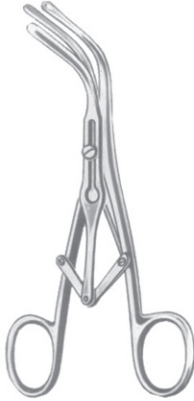
DE Tracheotomie

ES Traqueotomía

Page 475 to 479



TRACHEOTOMY



**Laborde**  
21-5551-13 13 cm/5"  
21-5551-15 15 cm/6"



**Trousseau (Adult)**  
21-5552-14  
14 cm/5½"



**Trousseau (Child)**  
21-5553-13  
13 cm/5"

Hooks



**Bose**  
21-5554-07  
7 cm/2¾"

Left



21-5555-16

Right



21-5556-16

Sharp

**Bose**  
16 cm/6¼"

Thyroid Gland Retractor



**Schoenborn**  
21-5557-21  
21 cm/8¼"

Trachea Trocars



**Uckerman**  
21-5558-08 08 mm Ø  
21-5558-10 10 mm Ø  
13 cm/5"

## TRACHEOTOMY

International scale

Fig.	0	1	2	3	4	5	6	7	8	9
Diameter	④	⑤	⑥	⑦	⑧	⑨	⑩	⑪	⑫	⑬mm
Length of outer tube N	45	50	55	60	65	70	75	80	85	90mm



**LUER**

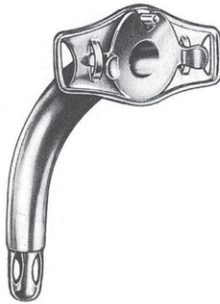
Fig	mmØ	45-90mm	95mm	105mm
0	4	21-5559-04		
1	5	21-5559-05		
2	6	21-5559-06		
3	7	21-5559-07		
4	8	21-5559-08	21-5560-08	21-5561-08
5	9	21-5559-09	21-5560-09	21-5561-09
6	10	21-5559-10	21-5560-10	21-5561-10
7	11	21-5559-11	21-5560-11	21-5561-11
8	12	21-5559-12	21-5560-12	21-5561-12
9	13	21-5559-13	21-5560-13	21-5561-13



**CHEVALIER-JACKSON**

Fig	mmØ	45-90mm
0	4	21-5562-04
1	5	21-5562-05
2	6	21-5562-06
3	7	21-5562-07
4	8	21-5562-08
5	9	21-5562-09
6	10	21-5562-10
7	11	21-5562-11
8	12	21-5562-12
9	13	21-5562-13

TRACHEOTOMY



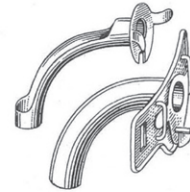
**KRISHABER**

Fig	mm	
0	4	21-5563-04
1	5	21-5563-05
2	6	21-5563-06
3	7	21-5563-07
4	8	21-5563-08
5	9	21-5563-09
6	10	21-5563-10
7	11	21-5563-11
8	12	21-5563-12



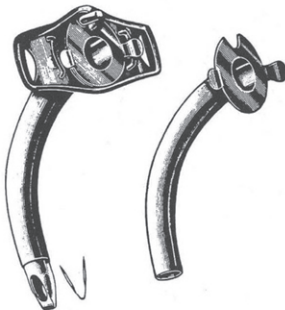
**KRISHABER-LUER**

Fig	mm	
0	4	21-5564-04
1	5	21-5564-05
2	6	21-5564-06
3	7	21-5564-07
4	8	21-5564-08
5	9	21-5564-09
6	10	21-5564-10
7	11	21-5564-11
8	12	21-5564-12



**PARKER**

Fig	F.G	
1	16	21-5565-16
2	18	21-5565-18
3	20	21-5565-20
4	22	21-5565-22
5	24	21-5565-24
6	26	21-5565-26
7	28	21-5565-28
8	30	21-5565-30
9	32	21-5565-32



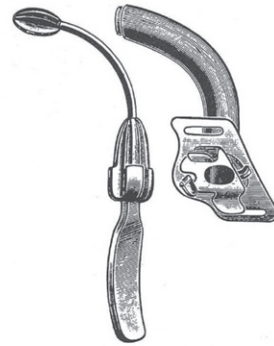
**COLLIN**

Fig	mm	
0	4	21-5566-04
1	5	21-5566-05
2	6	21-5566-06
3	7	21-5566-07
4	8	21-5566-08
5	9	21-5566-09
6	10	21-5566-10
7	11	21-5566-11
8	12	21-5566-12



**FULLER**

Fig	F.G	
1	18	21-5567-18
2	20	21-5567-20
3	22	21-5567-22
4	24	21-5567-24
5	26	21-5567-26
6	28	21-5567-28
7	30	21-5567-30
8	32	21-5567-32



**CUBLEY**

Fig	F.G	
1	16	21-5568-16
2	18	21-5568-18
3	20	21-5568-20
4	22	21-5568-22
5	24	21-5568-24
6	26	21-5568-26
7	28	21-5568-28
8	30	21-5568-30
9	32	21-5568-32

## TRACHEOTOMY

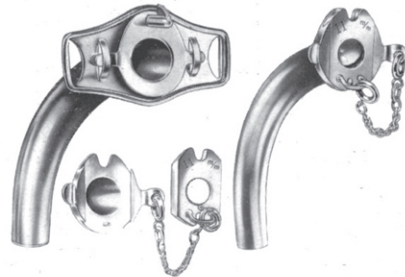
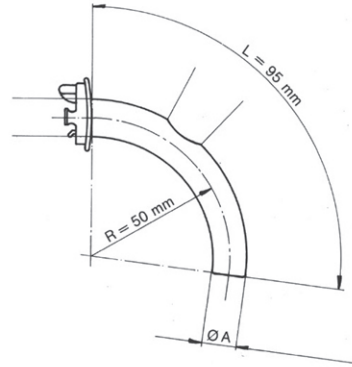
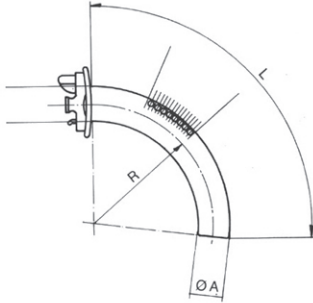
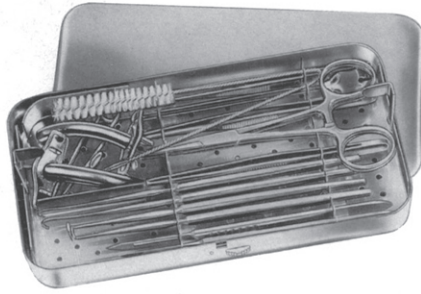


Fig		ØA	L	R
0	21-5569-08	8	65	36.5
1	21-5569-09	9	70	29
2	21-5569-10	10	75	40.5
3	21-5569-11	11	80	41.5
4	21-5569-12	12	85	43
5	21-5569-13	13	90	47.5

Fig		ØA	L	R
0	21-5570-08	8	95	50
1	21-5570-09	9	95	50
2	21-5570-10	10	95	50
3	21-5570-11	11	95	50
4	21-5570-12	12	95	50
5	21-5570-13	13	95	50

TRACHEOTOMY



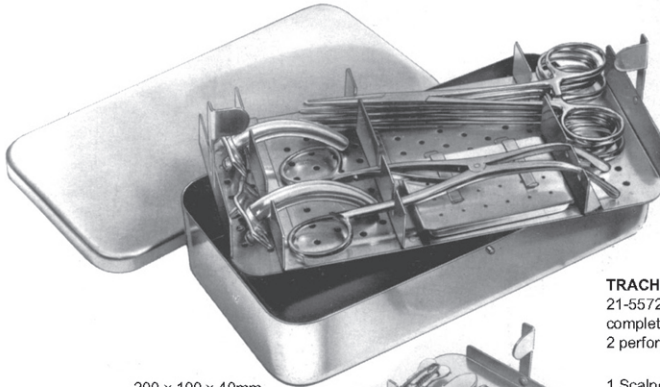
200 x 105 x 30mm

**TRACHEOTOMY SET**

21-5571-00

complete in metal case, consisting of:

- 1 Handle with 1 blade, Fig. 20
- 1 Handle with 1 blade, Fig. 23
- 1 Thumb forceps, 13.0cm
- 1 Tissue forcep, 13.0cm 1 x 2 teeth
- 2 Pean Artery Forceps, 13.0cm
- 1 Grooved Director, 14.0cm
- 1 Trachea Dilator
- 2 Iterson Trachea Retractors, blunt
- 1 Bose Trachea Retractor, sharp left hand side
- 1 ditto, right hand side
- 1 Luer Trachea Tube, Standard
- 1 ditto
- 1 Cleaning Brush



200 x 100 x 40mm

**TRACHEOTOMY SET**

21-5572-00

complete in metal case 200 x 100 x 40 mm, with  
 2 perforated trays of 18/8 s/s containing the following instruments:

- 1 Scalpel Handle No. 4, with blade No. 20
- 1 Scalpel Handle No. 4, with blade No. 23
- 3 Scalpel Blades, assorted, in perforated small case.
- 1 Small case for above Scalpel Blades
- 1 Dressing Forceps, serrated, 13.0cm
- 2 Tissue Forceps, 1 x 2 teeth, 13.0cm
- 4 Crile Artery Forceps, straight, 14.0cm
- 1 Grooved Director, 14.0cm
- 1 Trousseau Trachea Dilator, 14.0cm
- 2 Iterson Trachea Hooks, blunt
- 1 Bose Hook, sharp, left hand side, 16.0cm
- 1 ditto, right hand side, 16.0cm
- 1 Luer Trachea Tube, size 2.6mm diam.  
 German Silver.
- 1 ditto, size 4.8mm diam, German Silver.
- 1 Cleaning Brush, 12mm diam, 26.0cm